

BASE AND FLAGPOLE OPTIONS:

"X" BASE (Recommended)

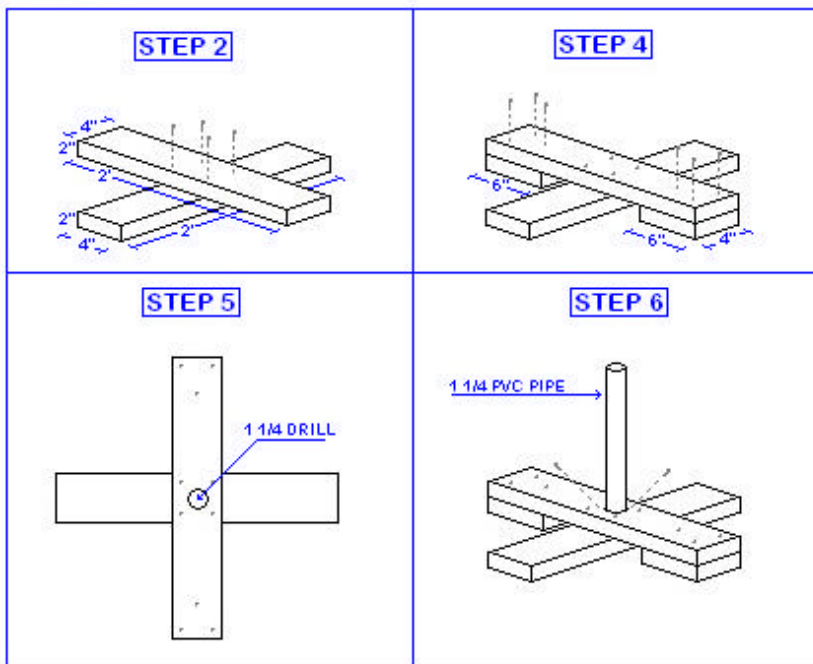
Supplies:

- ❑ Saw
- ❑ 2-inch x 4-inch piece of wood (5 feet in length)
- ❑ 10 screws or nails (2 1/2-inch)
- ❑ Screwdriver or hammer
- ❑ Drill
- ❑ 1 1/4-inch drill bit
- ❑ 1 1/4-inch PVC pipe (3-4 feet in length)
- ❑ 2 screws or nails (3/4-inch)

Instructions:

1. Saw the 2-inch x 4-inch piece of wood into two 2-foot lengths and one 1-foot length.
2. Attach the two 2-foot lengths of wood at their centers making an "X" using four 2 1/2-inch screws or nails. Be sure to leave enough space between the screws or nails so that a 1 1/4-inch hole can be drilled in the center of the "X" (see step 5).
3. Saw the remaining 1-foot piece of wood into two 6-inch lengths.
4. Attach the two 6-inch lengths of wood to the underside of the top piece of wood of the "X," one on each side, using three 2 1/2-inch screws or nails per side. These 6-inch pieces of wood will make the base stable.
5. Drill a 1 1/4-inch hole through the center of the "X."
6. Place the 1 1/4-inch PVC pipe in the drilled hole and anchor in with two 3/4-inch screws.

X BASE



BUCKET BASE

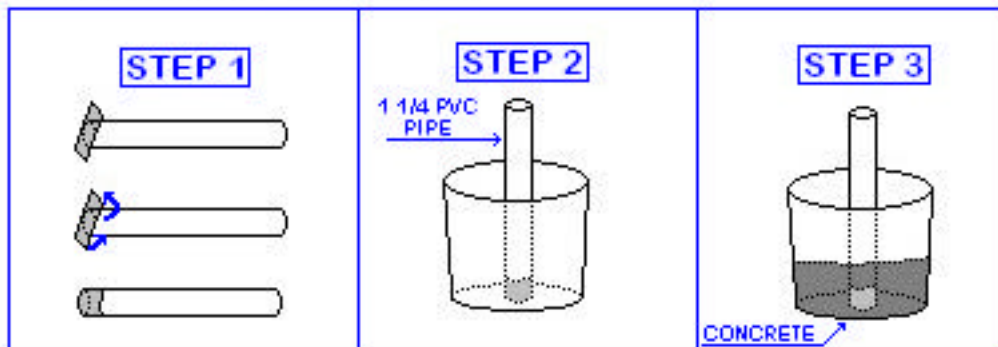
Supplies:

- Duct tape
- 1 1/4-inch PVC pipe (3-4 feet in length)
- 5-gallon bucket
- 1 bag of quick-setting concrete

Instructions:

1. Using duct tape, seal one end of the 1 1/4-inch PVC pipe.
2. Place the pipe with the taped end down in the center of the 5-gallon bucket.
3. Mix and fill the bucket six to twelve inches with quick-setting concrete.
4. Let set.

BUCKET BASE



WOODEN BASE

Supplies:

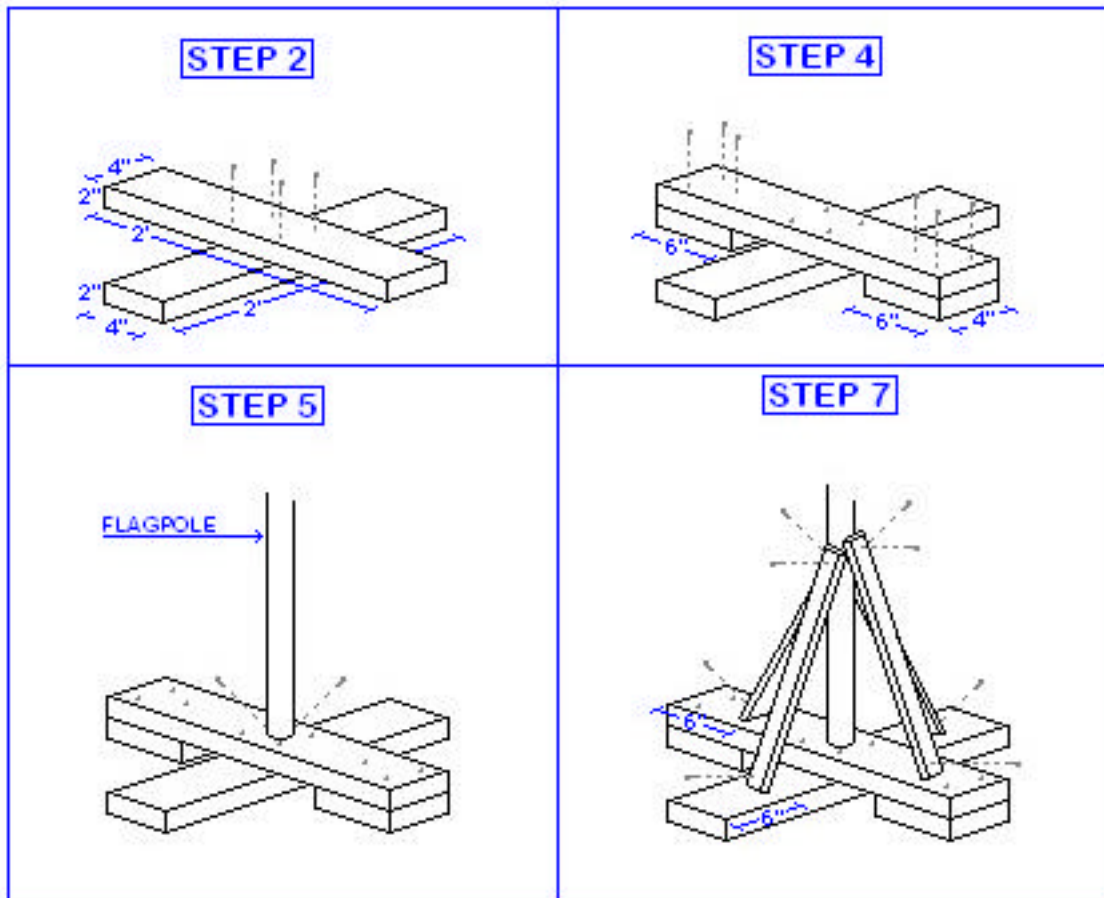
- Saw
- 2-inch x 4-inch piece of wood (6 feet in length)
- 10 screws (2 1/2-inch)
- Screwdriver
- 10 screws (2-inch)
- 1-inch x 3-inch piece of wood (8 feet in length)

Instructions (Note: The first four steps are similar to the steps for the "X" Base.):

1. Saw three 2-foot pieces from the 2-inch x 4-inch piece of wood.
2. Attach two 2-foot pieces at their centers, making an "X" using four 2 1/2-inch screws.
3. Saw two 1-foot pieces from the remaining 2-inch x 4-inch piece of wood.
4. Attach the two 1-foot pieces to the underside of the top piece of the "X" using three 2 1/2-inch screws for each side, making the bottom of the "X" flush with the ground. This will help stabilize the base.

5. Attach the flagpole (described following these instructions) to the center of the "X" by tacking it in place with two 2-inch screws.
6. Saw four 2-foot pieces from the 1-inch x 3-inch piece of wood.
7. Make diagonal braces using the four 2-foot pieces by placing one end of each piece six inches from the end of each arm of the "X" and leaning the other end on the flagpole. Tack each 1-inch x 3-inch piece in place using the remaining 2-inch screws.

WOODEN BASE



PVC PIPE FLAGPOLE (Recommended)

Supplies:

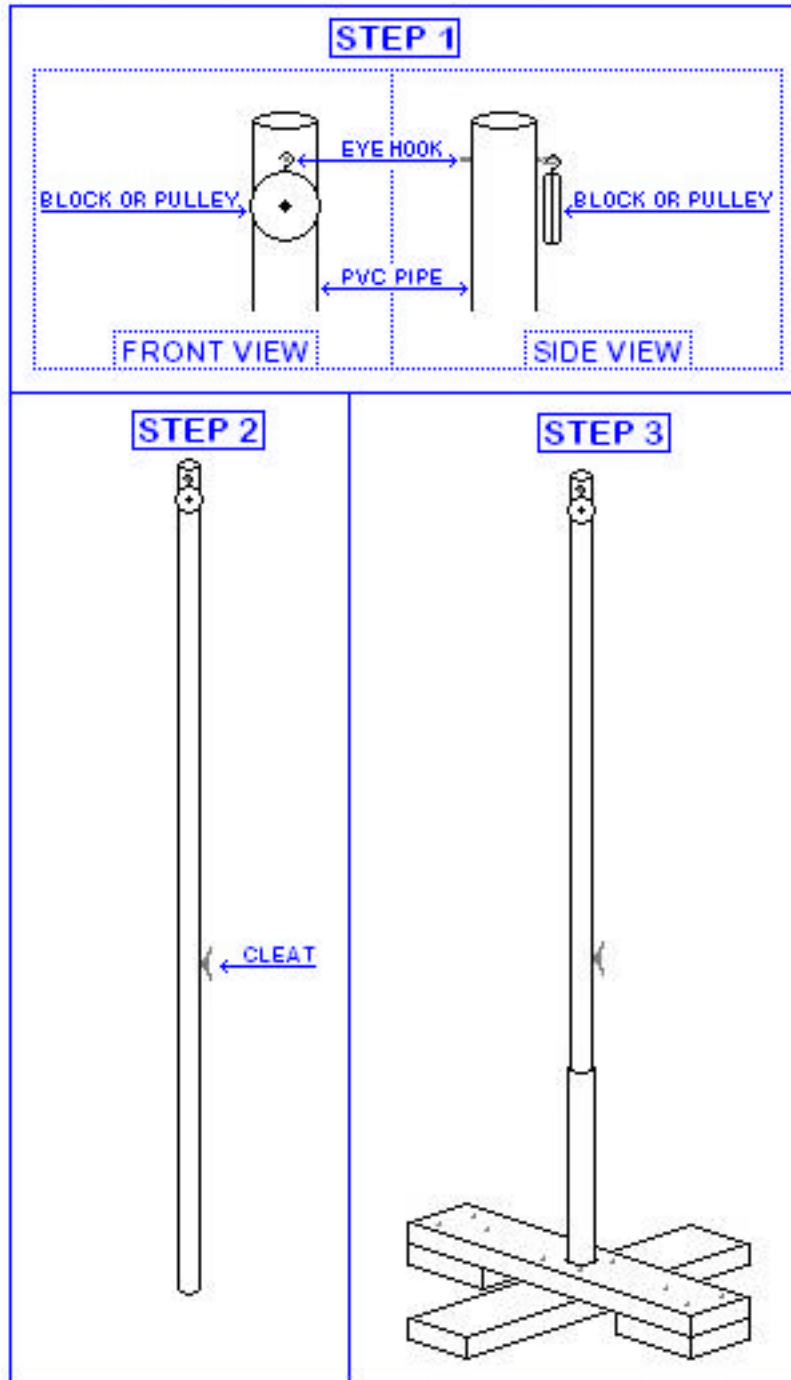
- 1 block or pulley (A block is a wooden or metal case which encloses a pulley(s) and has a hook, eye, or strap so it can be attached.)
- 1-inch PVC (pressure) pipe (8-10 feet in length) (This is a plastic pipe.)
- 1 cleat (A cleat is a fitting usually made of wood or metal that has two projecting horns. A rope can be fastened around it.)
- 15 feet of braided rope

Instructions:

1. Attach the block or pulley to the top of the 1-inch PVC (pressure) pipe.

2. Attach a cleat towards the bottom of the 1-inch PVC (pressure) pipe. (It should be placed high enough, however, so that the pipe can be inserted into the base pipe. See Step 3.)
3. Insert the 1-inch PVC (pressure) pipe into the PVC pipe of the base (or simply place in the base if you are using the Wooden Base option and follow the steps listed) and run the rope through the pulley and around the cleat.

PVC PIPE FLAGPOLE



3-D Flagpole

Using any of the previously described bases, construct a flat flagpole by following the instructions below that will hide a fabric flag until a cord releases it to a horizontal position.

Supplies:

- ❑ 1 sheet of 4-foot x 8-foot plywood (1/4-inch thick)
- ❑ Saw
- ❑ 3/4-inch screws
- ❑ Screwdriver
- ❑ 1-inch x 3-inch piece of wood (use a 10-foot length if you have a 12-foot ceiling height or adjust the length of your flagpole with the height of your space)
- ❑ 1-inch x 3-inch piece of wood (30-inch length)
- ❑ Drill
- ❑ 1/2-inch drill bit
- ❑ 1 1/2-inch diameter carriage bolt (2 inches in length) with 3 washers and a 1 1/2-inch nut
- ❑ 15 feet or more of rope
- ❑ Cleat or nail/screw (A cleat is a fitting usually made of wood or metal that has two projecting horns. A rope can be fastened around it.)
- ❑ Paint and brushes

Instructions:

1. Using the saw, cut the plywood into identical, tapered front and back pieces of the flagpole (see the illustration). The bottom should measure approximately four inches, while the top could be eight or more inches.
2. Using several 3/4-inch screws, attach the 1-inch x 3-inch piece of wood (10-foot length) to the left-hand side of the plywood front piece. Note: The 1-inch x 3-inch piece should run most of the length of the plywood except for six inches at the top (see the illustration).
3. Attach the back side of the flagpole to the front matching up the edges, with several 3/4-inch screws.
4. Place the 1-inch x 3-inch piece of wood (30-inch length) horizontally into the now made slot at the top of the flagpole (between the front and back plywood pieces) allowing a 6-inch overhang on the left-hand side of the flagpole.
5. Using a 1/2-inch drill bit, drill a hole that passes through the front of the flagpole, the middle of the now inserted 1-inch x 3-inch and through the back of the flagpole.
6. Insert the carriage bolt through the front of the flagpole, inserting washers between the plywood front and the inserted 1-inch x 3-inch piece of wood as well as the 1-inch x 3-inch piece of wood and the back of the flagpole. Insert one more washer on the exterior of the backside of the flagpole and a 1 1/2-inch nut only finger tight.
7. Attach a rope to the left-hand side of the extruding 1-inch x 3-inch piece of wood and measure it to a cleat or nail/screw placed towards the bottom (about 1/4 way up from the bottom) of the flagpole. This will keep the rope taut when the flag is revealed.
8. Attach the weekly flag (instructions for making the flags are found on the Curriculum CD-ROM in the Large Group Program Lesson 1 pdf, In Advance section) to the bottom of the 1-inch x 3-inch piece of wood. The flag can be hidden with rope or cord until revealed.
9. Paint the flagpole to appear 3-D. See the "Flagpole Ideas" video clip found in the MEDIA section of the Curriculum CD-ROM for a visual.

3-D FLAGPOLE

